

Stanley Access Technologies
Quick-Reference Guide



Cart Door System
Installation Instructions
Quick-Reference Guide
204020
Rev. A, 10/25/04

Prohibition on Copying

Any unauthorized reproduction, disclosure or distribution of copies by any person of any portion of this work may be a violation of copyright law of the United States of America and other countries, could result in the awarding of statutory damages of up to \$250,000 (17 USC 504) for infringement, and may result in further civil and criminal penalties. All rights reserved.

Quick-Reference Guide

TABLE OF CONTENTS

1. PURPOSE.....	2
1.1 Discussion.....	2
1.2 Applicability.....	2
1.3 Features and Functions.....	2
2. PREREQUISITES.....	3
3. INSTALLATION INSTRUCTIONS.....	4
3.1 Checking the Rough Opening.....	4
3.2 Installing the DH97 Presence Sensors on the Header Covers.....	4
3.3 Attaching the Jambs to the Header.....	5
3.4 Installing the Exterior Header and Jamb Assembly.....	6
3.5 Installing the Exterior Threshold.....	6
3.6 Installing the Interior Header and Jamb Assembly.....	7
3.7 Installing the Interior Threshold.....	7
3.8 Installing the Bottom Guides.....	8
3.9 Installing the Sliding Panels.....	9
3.10 Adjusting the Sliding Panel.....	11
3.11 Installing Belt Cams.....	11
3.12 Installing the Weatherstripping.....	12
3.13 Installing the Rotary Switches.....	12
3.14 Installing the Push Plates.....	13
3.15 Wiring the Door Assembly.....	13
3.16 Tuning In the Door Assembly.....	13
3.17 Installing Safety Decals.....	14
<u>Attachments</u>	
Attachment 1, Cart Door--General Arrangement.....	15
Attachment 2, Cart Door Interior Header.....	17
Attachment 3, Cart Door Exterior Header.....	21
Attachment 4, System Wiring Diagram.....	23

1. PURPOSE

1.1 **Discussion**

This manual provides installation and operating instructions for the Stanley Cart Door system. The Cart Door system provides two single-sliding doors that open and close to facilitate the passage of carts and store carriages.

The Cart Door System uses two single-slide door packages installed back to back. Attachment 1 illustrates the general arrangement of the Cart Door System. Attachments 2 and 3 illustrate the interior and exterior headers. Attachment 4 illustrates system wiring.

The doors operate independently by push plate. With the door function switch set to Automatic, only the push plate can open the closed door. When the door is opened by the push plate, the door stays open for 25 seconds—unless the inside sensor detects the presence of a person or object. When the inside sensor detects a person or object, the 25-second delay is canceled. Both doors cannot open at the same time--when one door is open, the other door is disabled.

1.2 **Applicability**

This manual is applicable to the Stanley Cart Door System.

Instructions for installing optional accessories such as access control locks, access control consoles, key switches, door alarm contacts, and door position switches are provided in separate installation manuals.

This manual does not cover components installed/manufactured by other companies.

1.3 **Features and Functions**

1.3.1 The Cart Door System include the following features and functions:

- Separated entrance and exit paths
- Four push plates—one at each jamb on the interior, one at each jamb on the exterior
- Four MS Sedco DH97 presence sensors--two interior, two exterior (optional)
- Two 2-position rotary switches (Automatic and Closed)--one on the interior left, one on the interior right
- Two MS Sedco time-delay modules
- Two sets of doorway holding beams--one set for each door
- Two logic controllers (for doorway holding beams)
- Two motor gearboxes (one on the interior header, one on the exterior header)
- One-point segment lock
- Weatherstrip brush kit
- Two 6" square bevel thresholds (exterior and interior)
- Six door-position switches
- Two Stan-Guard threshold sensors (optional)

2. PREREQUISITES

2.1 The following reference documents have been obtained:

- Stanley Access Technologies document No. 203743, "Stanley Automatic Sliding Door Safety Decal Installation Guide" or equivalent.
- Stanley Access Technologies document No. 203728, "Dura-Glide 2000/3000 Control Box"
- Doorway holding beam manufacturer's installation instructions
- MS Sedco DH97 presence sensor manufacturer's installation instructions
- MS Sedco time-delay module manufacturer's installation instructions
- NCC TMM relay manufacturer's installation instructions

3. INSTALLATION INSTRUCTIONS

3.1 **Checking the Rough Opening**

3.1.1 CHECK the floor across the entire opening.

3.1.2 IF applicable, CHECK threshold recesses.

NOTE

Opening width should be package width plus ½ inch (¼ inch each side for shim and caulk clearance). This clearance can be as small as ⅛ inch for a tight appearance with the aluminum storefront construction.

3.1.3 CHECK opening width.

3.1.4 SWEEP floor.

3.2 **Installing the DH97 Presence Sensors on the Header Covers**

NOTE

For ease of installation, the DH97 presence sensors should be installed onto the header covers *before* installing the header and jamb assemblies in the opening.

Two sensors must be installed on each header cover. No sensors mount to the back of the header since the two headers in this installation are installed back-to-back.

Each sensor comes with a mounting template.

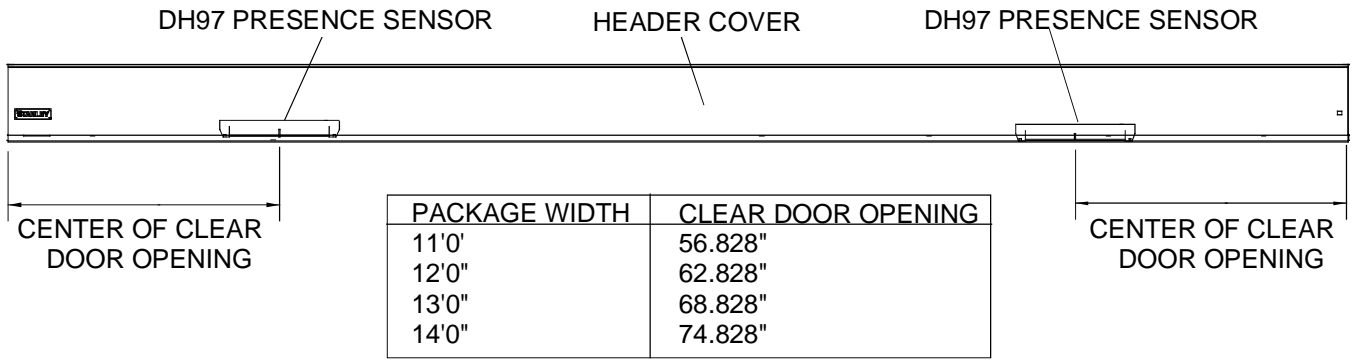
3.2.1 Refer to Figure 1, and PLACE headers on a flat surface.

3.2.2 Using the mounting templates, INSTALL DH97 presence sensors on header covers, and ENSURE the following:

- Each sensor is mounted in the center of its respective clear door opening. (Table 1 provides the clear door opening widths for the various door packages.)
- Each sensor is mounted flush with the bottom of the header cover.

3.2.3 ROUTE sensor cables toward end cap, and ENSURE that cables do not cross the belt path.

Figure 1. Locating the DH97 Presence Sensors on the Header Covers



EXTERIOR VIEW
(SEE NOTE)

NOTE
TWO DH97 PRESENCE SENSORS REQUIRED ON INTERIOR AND EXTERIOR HEADER.

CD015A

NOTE

Sensor wire routing cannot be completed at this time. Since wires must be passed from the exterior header to the interior header, the headers must first be mounted in the building opening. After header installation, the exterior sensor wires can be routed through wire access holes to the interior header.

3.2.4 Refer to Section 3.3, and ATTACH jambs to the header.

3.3 Attaching the Jambs to the Header

NOTE

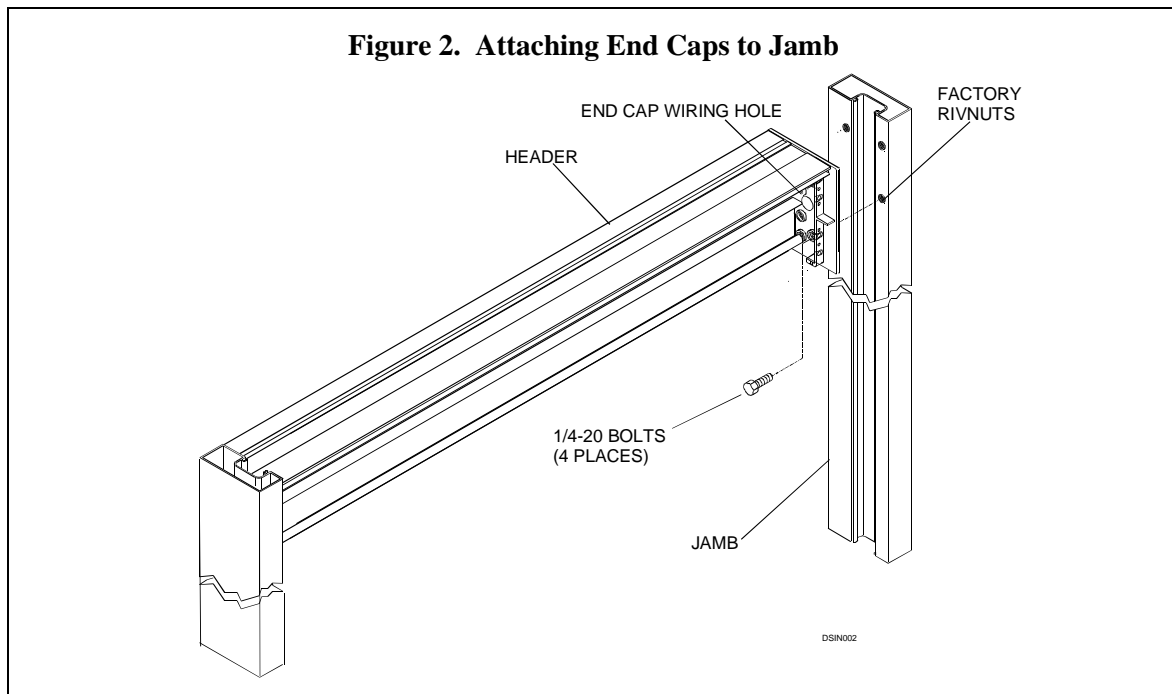
The exterior header and jamb assembly should be installed into the door opening first followed by the interior header and jamb assembly.

3.3.1 REMOVE end caps from header.

3.3.2 ROUTE the doorway holding beam/breakout beam wires through the endcap hole.

3.3.3 POSITION each end cap on its corresponding jamb.

- 3.3.4 Refer To Figure 2, and, using four 1/4 -20 bolts and lockwashers, ATTACH end cap to factory-mounted rivnuts in jamb.
- 3.3.5 ATTACH jamb/end cap assemblies to header.



3.4 Installing the Exterior Header and Jamb Assembly

- 3.4.1 With the header cover facing the *exterior*, LIFT header and jamb assembly and POSITION assembly as follows:
- 3.4.2 Temporarily SECURE assembly in place as necessary to prevent header and jamb assembly from falling.
- 3.4.3 SHIM beneath jamb(s) as necessary to level header and maintain required height from highest point of finished floor.
- 3.4.4 INSPECT one jamb for plumb in vertical and horizontal planes. IF required, SHIM back of jamb.

3.5 Installing the Exterior Threshold

- 3.5.1 POSITION the threshold on the floor.
- 3.5.2 ALIGN the inside edge of the threshold with the inside edge of the jambs. MODIFY installation to ensure proper fit of the threshold.
- 3.5.3 Using the predrilled holes in threshold as a guide, DRILL holes in floor for the following fasteners as required:
- IF rough opening is concrete, DRILL a 1/4" dia. hole for concrete screw, and ENSURE screw will be embedded 1 1/2" minimum.

- **IF** rough opening is steel, **DRILL** for a #14 sheet metal screw (Note 18 GA steel minimum).
- **IF** rough opening is wood, **DRILL** for a #14 sheet metal screw, and **ENSURE** screw will be embedded 1½" minimum after shimming.

3.5.4 Using fasteners 5" from each end and every 18", **FASTEN** threshold to floor. Using shims, **ENSURE** the following:

- Threshold remains level.
- The bottom of the threshold is even with the bottom of the jamb.

3.6 **Installing the Interior Header and Jamb Assembly**

3.6.1 With the header cover facing *interior*, **LIFT** header and jamb assembly and **POSITION** tightly against the exterior header and jamb assembly.

3.6.2 Temporarily **SECURE** in place as necessary to prevent header and jamb assembly from falling.

3.6.3 **SHIM** beneath jamb(s) as necessary to level the header, maintain the required height from highest point of finished floor, and match the exterior header.

3.6.4 **INSPECT** one jamb for plumb in vertical and horizontal planes. **IF** required, **SHIM** back of jamb.

3.6.5 **INSTALL**, but do *not* tighten, fasteners securing one jamb to opening, and **ENSURE** jamb remains plumb.

3.6.6 **INSPECT** opposite jamb for plumb in vertical and horizontal planes. **IF** required, **SHIM** back of jamb.

3.6.7 Using the pre-drilled jamb holes as a guide, **DRILL** holes in rough opening.

3.6.8 **INSTALL**, but do *not* tighten, fasteners securing jamb to opening, and **ENSURE** jamb remains plumb.

3.6.9 Starting at the top of jamb and moving downward, **SHIM** jambs as necessary to ensure jambs remain level and plumb, and **TIGHTEN** fasteners securing jambs to opening.

3.6.10 As applicable, **INSTALL** and **TIGHTEN** fasteners securing header to opening, and **ENSURE** header remains level.

3.6.11 **INSTALL** jamb inserts.

3.6.12 Using three ¾" X 1½" bolts with washers on both sides, **FASTEN** the interior and exterior headers together. Evenly space the bolts with one in the center of the header.

3.6.13 **DRILL** ¾" wire routing holes through both headers at convenient locations such that the wire run will be efficient and short.

3.7 **Installing the Interior Threshold**

3.7.1 **POSITION** the threshold on the floor.

3.7.2 **BUTT** the threshold against the exterior threshold and **ALIGN** the outside edges of the two thresholds.

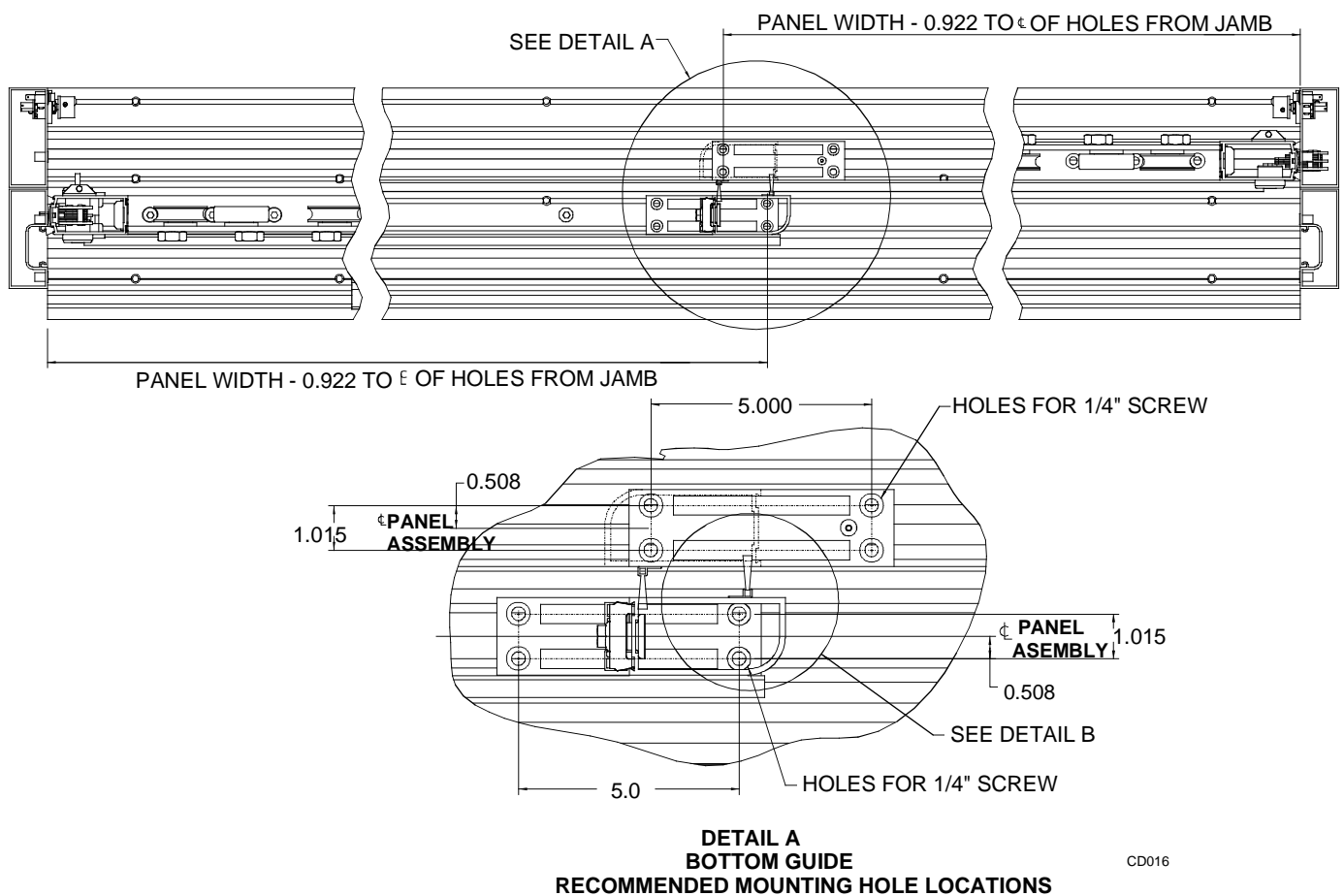
3.7.3 **ENSURE** that the outside edge of the threshold aligns with the outside edge of the exterior jamb. **MODIFY** installation to ensure proper fit of the threshold.

- 3.7.4 Using the predrilled holes in threshold as a guide, DRILL holes in floor for the following fasteners as required:
- IF rough opening is concrete, DRILL a 1/4" dia. hole for concrete screw, and ENSURE screw will be embedded 1 1/2" minimum.
 - IF rough opening is steel, DRILL for a #14 SMS (Note 18 GA steel minimum).
 - IF rough opening is wood, DRILL for a #14 sheet metal screw, and ENSURE screw will be embedded 1 1/2" minimum.
- 3.7.5 FASTEN threshold to floor, and, using shims, ENSURE the following:
- Threshold remains level.
 - The bottom of the threshold is even with the bottom of the jamb.

3.8 Installing the Bottom Guides

- 3.8.1 Refer to Figure 3, and DETERMINE the location of the bottom guide as follows:

Figure 3. Installing the Bottom Guides



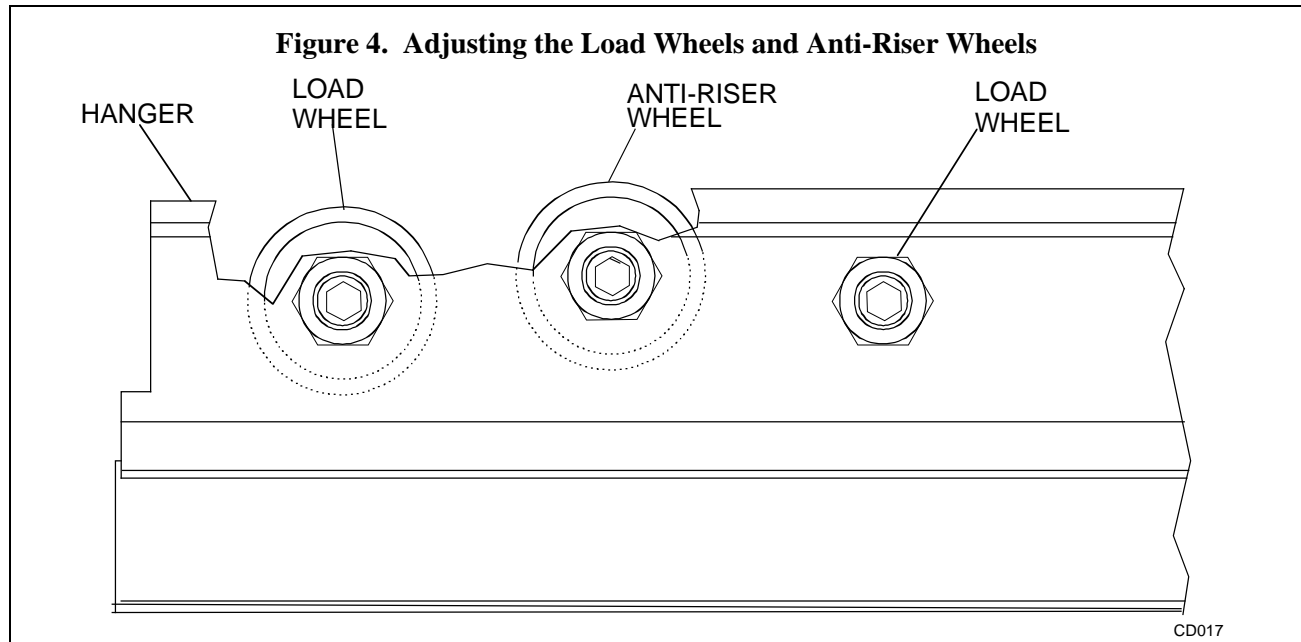
- Using a plumb bob from the header, DETERMINE the position of the sliding panel along the threshold, and MARK this location.
- MEASURE panel width and RECORD this measurement as Dimension A

204020
Rev. A, 10/25/04
8 of 27

- c. SUBTRACT 0.922" from Dimension A, and RECORD this measurement as Dimension B.
 - d. From jamb, MEASURE Dimension B and MARK this location on threshold.
- 3.8.2 POSITION centerline of bottom guide mounting holes at marked location.
- 3.8.3 Using ¼" screws, FASTEN bottom guide to threshold.
- 3.8.4 REPEAT steps 3.8.1 through 3.8.3 for opposite panel.

3.9 Installing the Sliding Panels

- 3.9.1 Refer To Figure 4, and LOOSEN nuts securing four load wheels and two anti-riser wheels to hanger



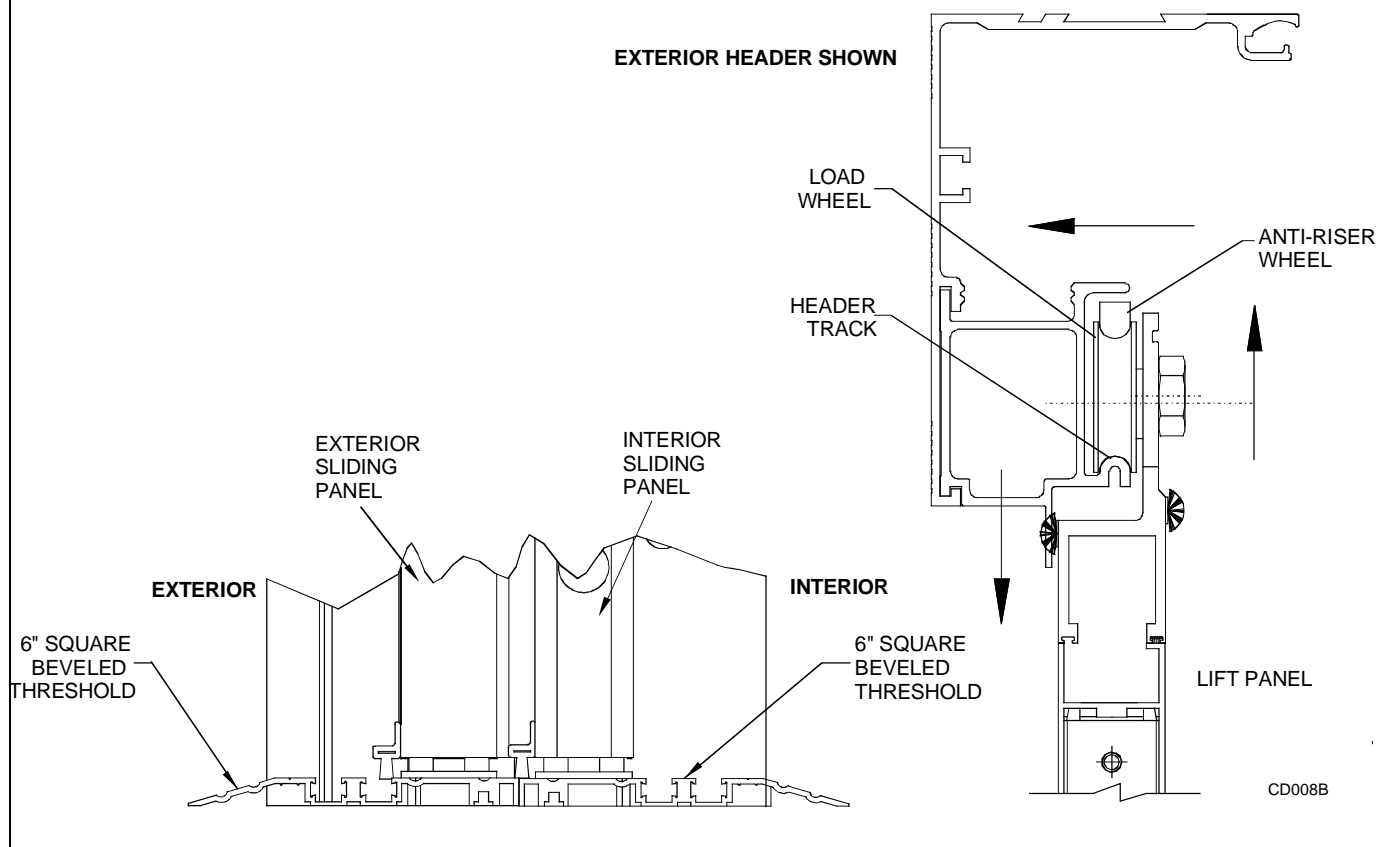
- 3.9.2 MOVE anti-riser wheels to lowest position in hanger.
- 3.9.3 Using an Allen wrench, SET load wheels to lowest position in hanger.
- 3.9.4 TIGHTEN nuts securing load wheels and anti-riser wheels to hanger.

WARNING

Whenever the door anti-riser wheels are not set, the sliding panel *could* fall off the hanger track. Use extreme caution when handling the sliding panels.

- 3.9.5 Refer to Figure 5, and HANG the sliding panel on the header track as follows:

Figure 5. Hanging the Sliding Panel on the Header Track



- a. ENSURE that the panels are oriented such that the lock cylinders are facing the exterior of the building.
- b. POSITION the bottom rail of the sliding panel over the bottom guide.
- c. LIFT panel up over header track, and carefully POSITION panel onto header track.

3.9.6 REPEAT step 3.9.5 for opposite panel.

3.9.7 Using two ¼" X 20 X 1" fasteners with ¼" lockwashers, FASTEN the belt brackets to the sliding panel hangers.

3.10 Adjusting the Sliding Panel

- 3.10.1 Refer To Figure 4, and ADJUST panel height as follows:
- a. LOOSEN nuts securing upper load wheels to hanger.

NOTE

Each load wheel is an eccentric that permits adjustment of the threshold/track-to-panel gap. The total adjustment available from the load wheels is approximately $\frac{5}{16}$ inch.

- b. Using an Allen wrench, TURN the load wheels until the following occur:
 - Threshold/track-to-panel gap is even across entire bottom of door panel.
 - The stiles of the door panels are parallel to each other and the jambs.
- c. WHEN adjustment is complete, TIGHTEN nuts securing load wheels to hanger.

NOTE

The anti-riser adjustment is performed to prevent the door panel from moving upward. The anti-riser track serves as a roller surface for the anti-riser wheels.

- 3.10.2 ADJUST anti-risers as follows:
- a. LOOSEN the nuts securing the anti-riser wheels to the hanger.
 - b. SLIDE the anti-riser wheels upward in the hanger until there is a $\frac{1}{64}$ -to $\frac{1}{32}$ -inch gap between the top of the anti-riser wheels and the bottom of the anti-riser track.
 - c. TIGHTEN the nuts securing the anti-riser wheels to the hanger.

3.11 Installing Belt Cams

- 3.11.1 INSTALL four metal cams onto belt and ENSURE the following:
- The cams actuate the door-position switches on the idlers and motor gearboxes at the closed-door position.
 - All belt cam switches are switching on and off.

3.12 Installing the Weatherstripping

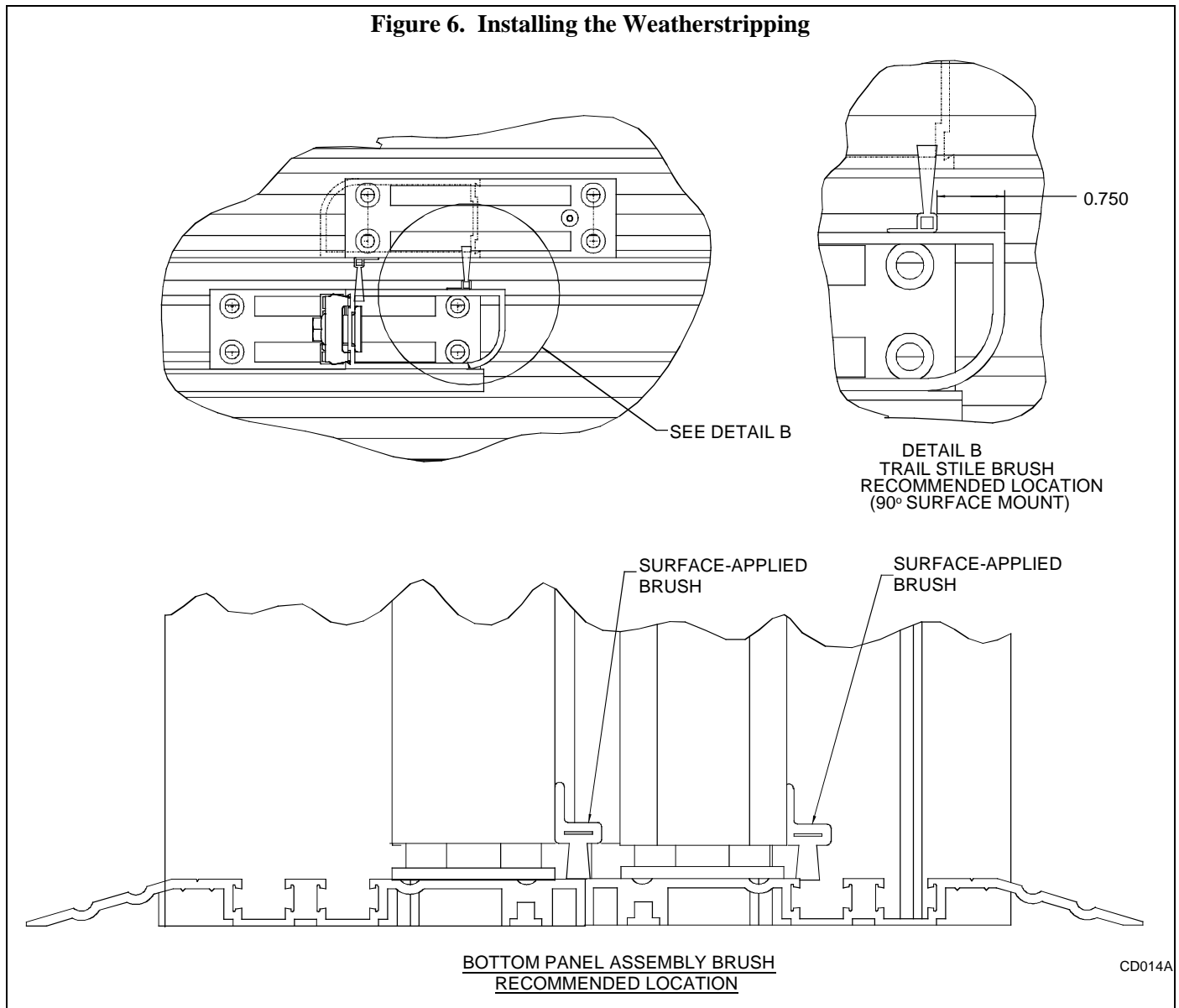
NOTE

The weatherstripping consists of two vertical brushes at the panel overlaps and two horizontal brushes at the bottom of the sliding panels.

3.12.1 Refer to Figure 6, and install two vertical brushes at the panel overlaps.

3.12.2 INSTALL two horizontal brushes at the bottom of the sliding panels.

Figure 6. Installing the Weatherstripping



3.13 Installing the Rotary Switches

3.13.1 Using supplied screws, FASTEN rotary switches onto jambs.

204020
Rev. A, 10/25/04
12 of 27

3.14 Installing the Push Plates

- 3.14.1 MEASURE 5'11" up from finished floor to centerline of push plate and MARK location.
- 3.14.2 Using supplied screws, FASTEN push plates.

3.15 Wiring the Door Assembly

NOTE

The inside safety sensor DH97 output signal is wired in series with the idler pulley door-position switch. When the door is *not* closed, the inside safety signal connects to TDM module input 1. The TDM module outputs an operate signal to TB2 – 7 and 8 and also resets the TMM 25-second delay.

- 3.15.1 Refer to Attachments 2 and 4, and CONNECT the following:

- Incoming power wiring
- Motor/gearbox wiring
- Counter wiring
- Rotary switch wiring
- Push plate wiring
- Doorway holding beam wiring
- DH97 presence sensor wiring
- Logic controller wiring
- I/O board wiring
- Stan-Guard Sensors (if applicable)

3.16 Tuning In the Door Assembly

NOTE

The TMM module settings are set at the factory, but need to be verified at tune-in. To check settings, press the button to the left of the display window once for d1, again for d2, etc. To change the setting, turn the small screw located to the right of the window when on appropriate setting.

- 3.16.1 VERIFY that TMM modules (orange) are set as follows:

- Time select= 250
- Range select= 99.9S
- Function shot= 1-SHOT
- TDM module d1= 2.0
- TDM module d2= 1.0
- TDM module d3= 1.0
- TDM module d4= Does not matter

3.16.2 SET DH97 presence sensors as follows:

- Presence timer: 60 seconds
- Pattern depth: Inside two rows; outside four rows
- Frequency: All different
- Monitor mode: Normal
- Self-monitoring: OFF

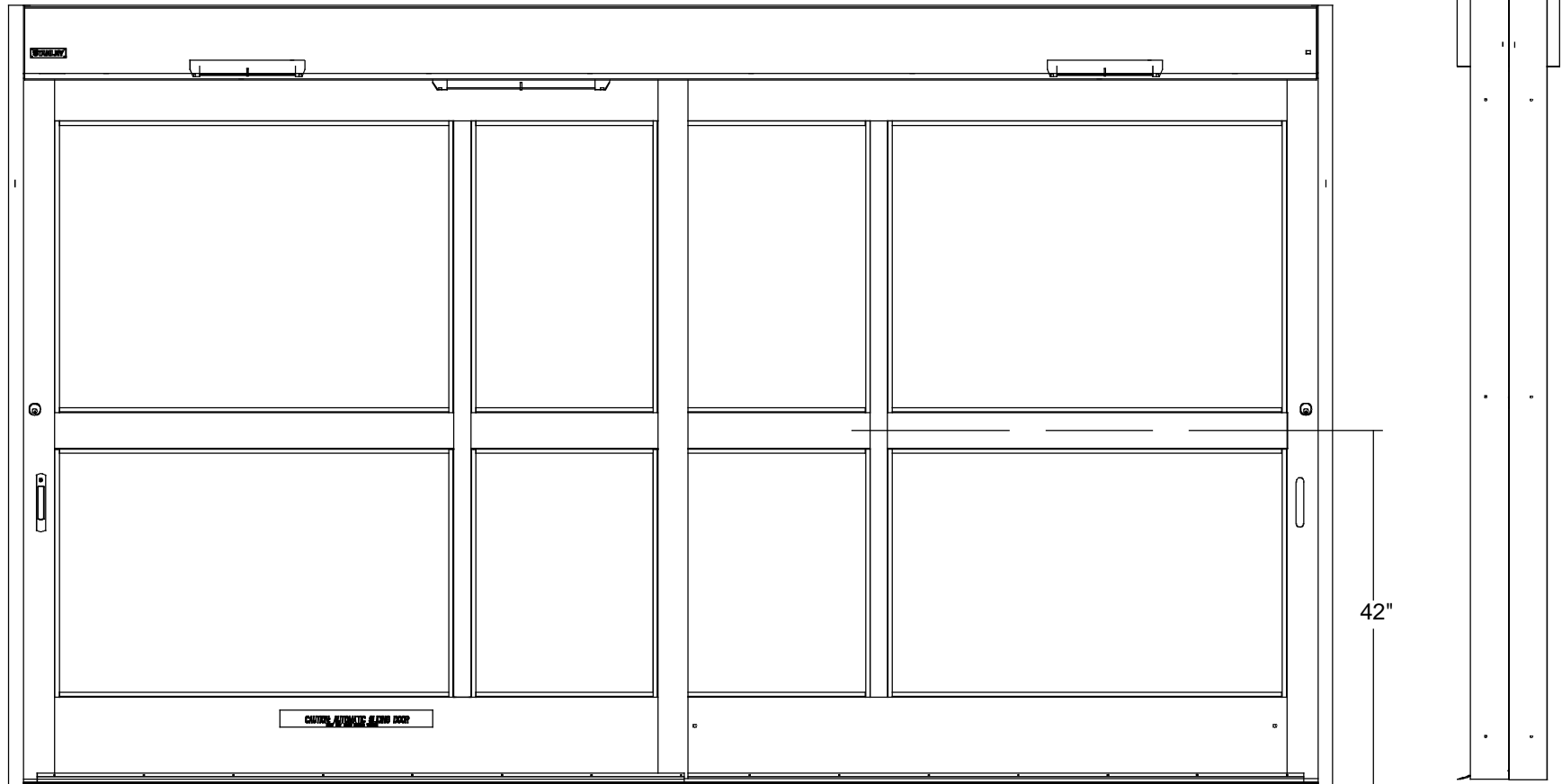
3.16.3 SET the DH97 presence sensors to ensure that they have the widest zone and the angle is closest to the face of the door.

3.17 **Installing Safety Decals**

3.17.1 Refer To Document No. 203743, "Stanley Automatic Sliding Door Safety Decal Installation Guide," (supplied with door package) and INSTALL safety decals.

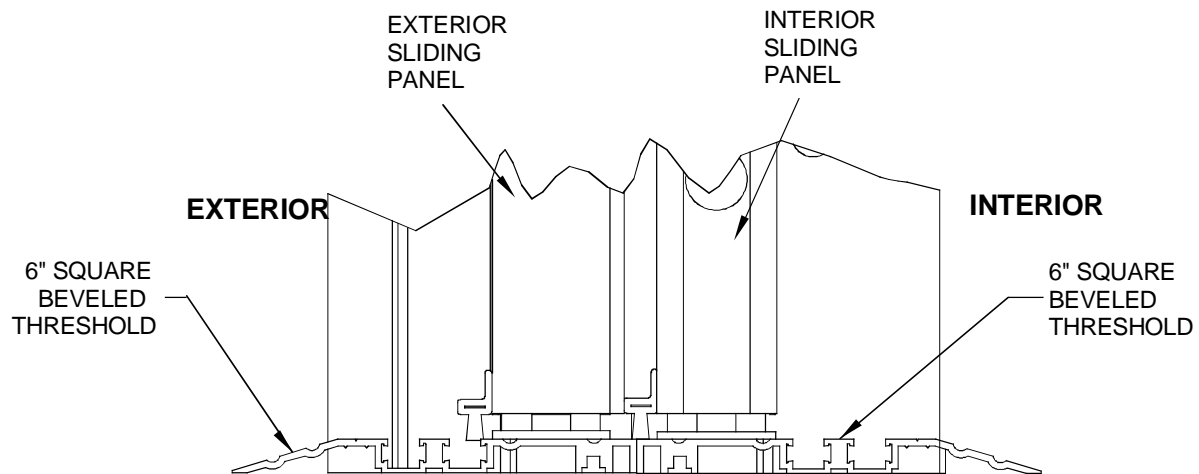
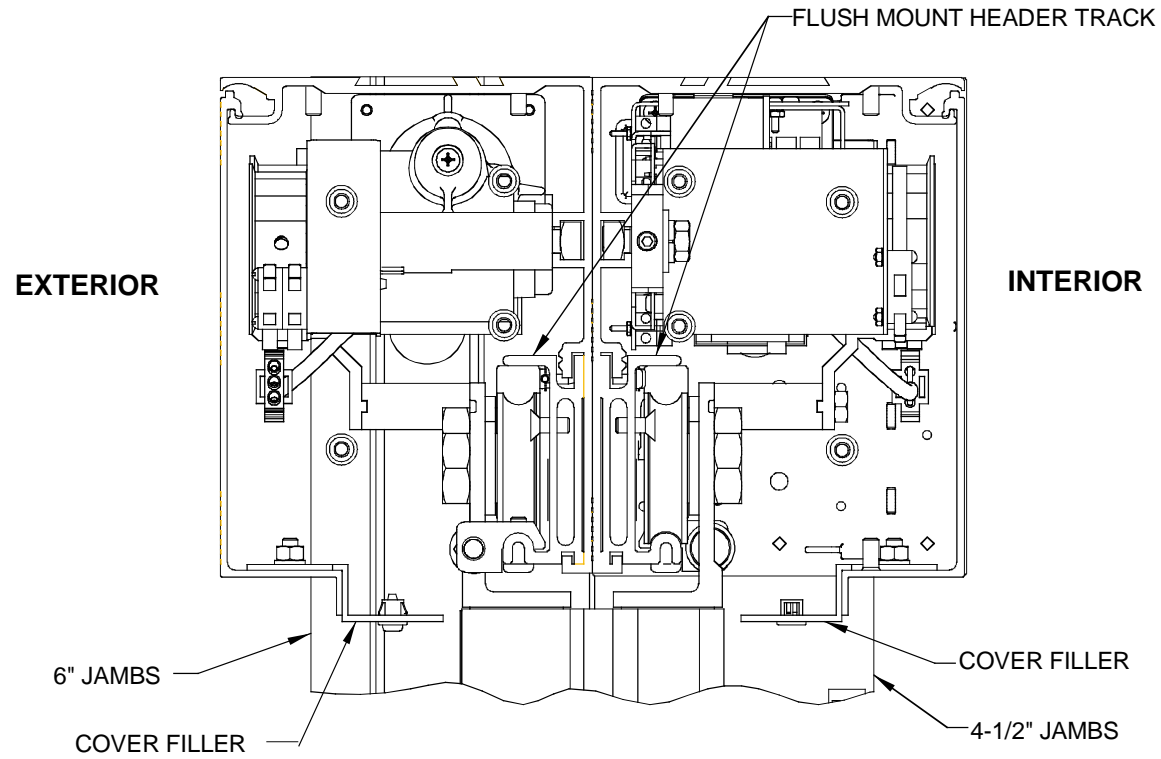
Attachment 1
Cart Door General Arrangement
 (Sheet 1 of 2)

EXTERIOR VIEW

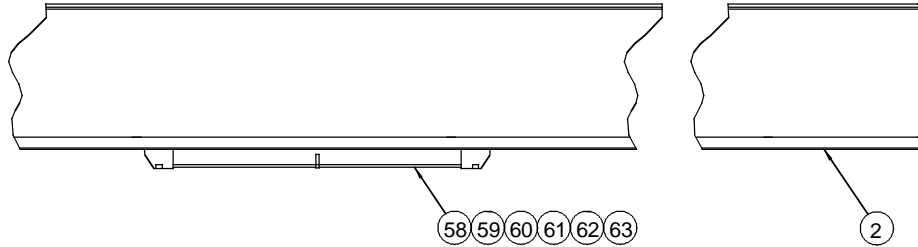
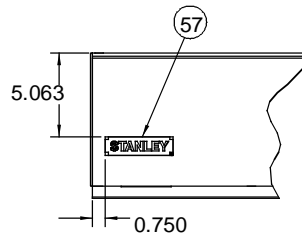
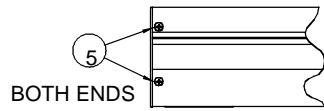


PKG WIDTH	CLEAR DOOR OPENING	“X” PANEL WIDTH	DOOR TRAVEL	MASONRY OPENING	CAULKING ALLOWANCE
11’0”	56.828”	66.172”	56.828”	11’0” 1/2”	1/4”/ SIDE
12’0”	62.828”	72.172”	62.828”	12’0” 1/2”	1/4”/ SIDE
13’0”	68.828”	78.172”	68.828”	13’0” 1/2”	1/4”/ SIDE
14’0”	74.828”	84.172”	74.828”	14’0” 1/2”	1/4”/ SIDE

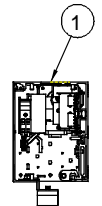
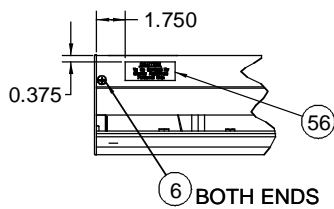
Attachment 1
Cart Door General Arrangement
(Sheet 2 of 2)



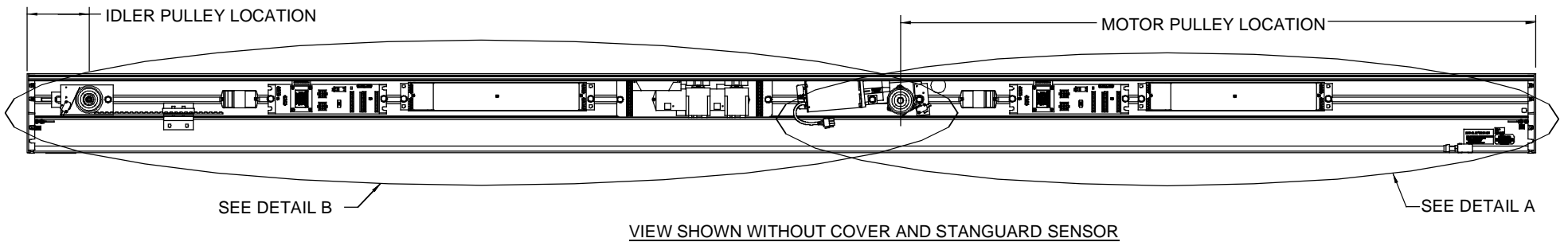
Attachment 2
Cart Door Interior Header
 (Sheet 1 of 4)



VIEW SHOWN WITH COVER AND STANGUARD SENSOR



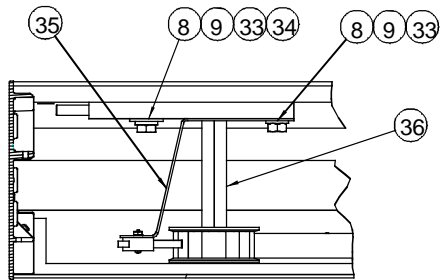
VIEW SHOWN WITHOUT ENDCAP



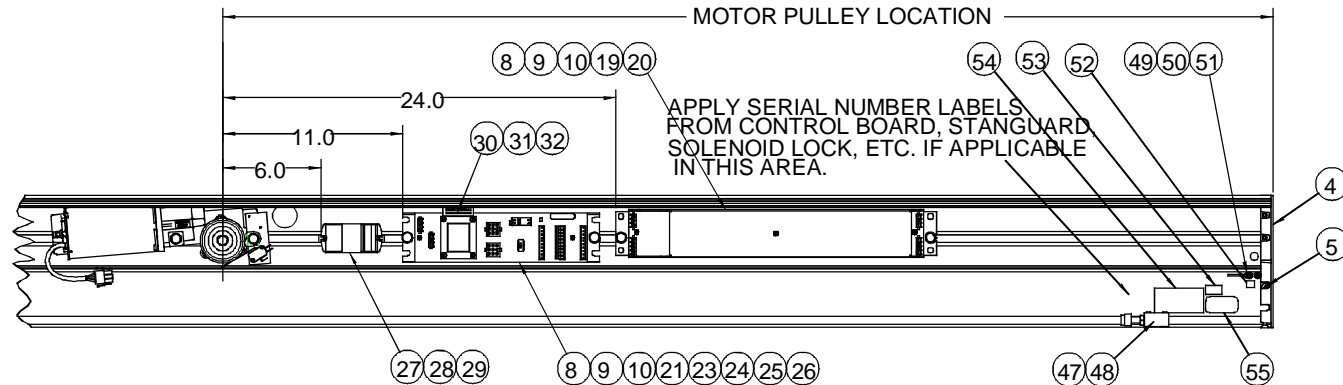
CD001_1

Attachment 2 Cart Door Interior Header

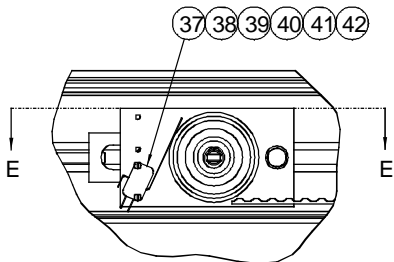
(Sheet 2 of 4)



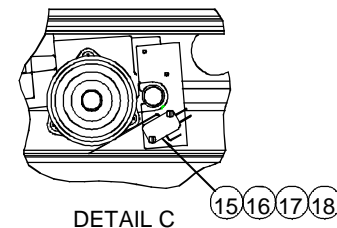
SECTION E-E



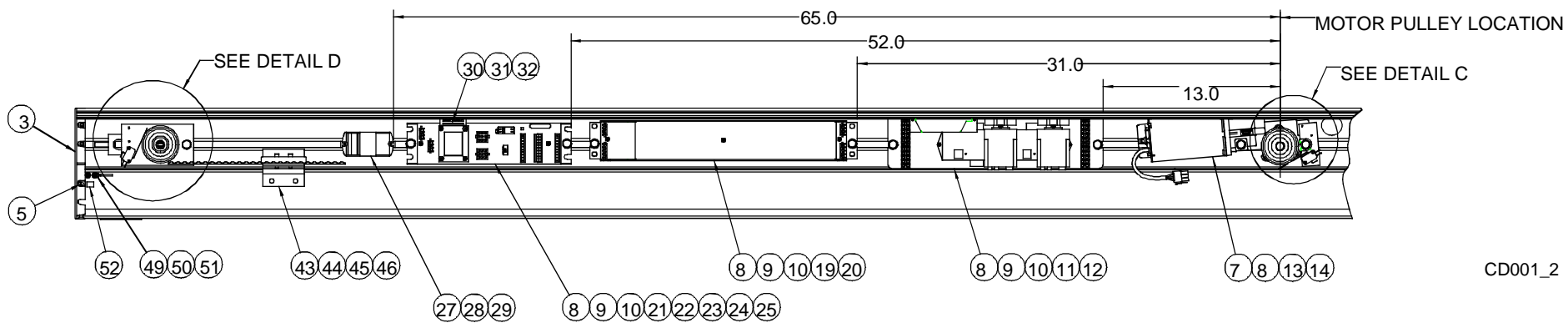
DETAIL A



DETAIL D



DETAIL C



DETAIL B

CD001_2

204020

Rev. A, 10/25/04

Page 18 of 27

© 2004, THE STANLEY WORKS. ALL RIGHTS RESERVED.

**Attachment 2
Cart Door Interior Header**

(Sheet 3 of 4)

Item	Part No.	Description	Item	Part No.	Description
1	157763	Header-Machining Interior	27	414009	Assy-Cable-Optex HB Controller to I/O
2	170054	Assy.-Cover	28	711949	Nut-Special-Holding Beam
3	516822-1	End Cap-Modified LH Clr.	29	515365	Holding Beam-Doorway Optex
	536822-1	End Cap-Modified LH Drk. Brz.	30	413767	Counter, Electronic
	5M6822-1	End Cap-Modified LH Mill	31	711107	Tape-Loop-Velcro
4	516822-2	End Cap-Modified RH Clr.	32	711106	Tape-Hook-Velcro-MS-CS
	536822-2	End Cap-Modified RH Drk. Brz.	33	3.51E+08	Screw, HHM – 3/8-16 x 1
	5M6822-2	End Cap-Modified RH Mill	34	711324	Bushing- Idler Adj.
5	3.12E+08	Screw, FHM-PH 1/4-20 x 5/8	35	515561	Bracket-Switch-Closed Pos. Sw.
6	3.12E+08	Screw, FHM-PH 1/4-20 x 5/8	36	515059	Idler Assy.
7	110055	Motor and Gearbox Assy.	37	412161	Cable Assy-Closed Position Sw
8	3.81E+08	Nut-Sq-3/8-16	38	709183	Switch-Micro
9	3.82E+08	Washer-Spring Lock - 3/8 - Medium	39	3.17E+08	Screw, RHM-PH 4-40 x 5/8
10	3.51E+08	Screw, HHM- 3/8 – 16- 5/8	40	3.81E+08	Nut-Hex- #4-40
11	516825	Controller Assy.	41	3.83E+08	Washer- #4 Intl Tooth
12	414105	Harness 24 VDC Power supply	42	313139	Hdwe Pkg-Dr Pos Sw Installed
13	3.83E+08	Washer – 3/8-Intl Tooth	43	411810	Bracket- Belt-Short
14	3.51E+08	Screw, HHM- 3/8 – 16- 3 1/4	44	411507	Clamp-Belt
15	3.17E+08	Screw, RHM- PH 4-40 x 1 1/4	45	3.53E+08	Screw, SHM-SK 10-24 x 7/8
16	414068	Bracket-Switch	46	413011-1C	Timing Belt-SS
17	414071	Kit-Door Position Switch	47	711709	Bumper Stop Assy RH
18	709183	Switch-Micro	48	3.15E+08	Screw-PNH-REC-1/4-20 x 3/4
19	110280	Control Box Assy. Duraglide “J”	49	711527	Harness-Duraglide-Ground Wire
20	412902-1	Harness C/Box to I/O Board	50	3.23+08	Screw-T/B- PNH-REC - #8-18 x 1/2
21	516098	I/O Assy. 2&30000 Slider	51	3.82E+08	Washer- #8-Extl Tooth
22	412545	Harness Line Connect 10 Ft.	52	5.26E+08	Marker-Ground
23	713081	Switch-Rocker Power W/ Light	53	712356	Label- UL- Header -Duraglide
24	413733	Harness-Power- D/G-Rotary/Keysw 86”	54	711632	Label-Control Box-Duraglide
25	413549	Harness-Switch to I/O Board	55	713146	Label-UL/CUL
26	412544	Harness- Line Connect 6 Ft.	56	712511	Label-Caution-“Auth Serv Only”

204020

Rev. A, 10/25/04

Page 19 of 27

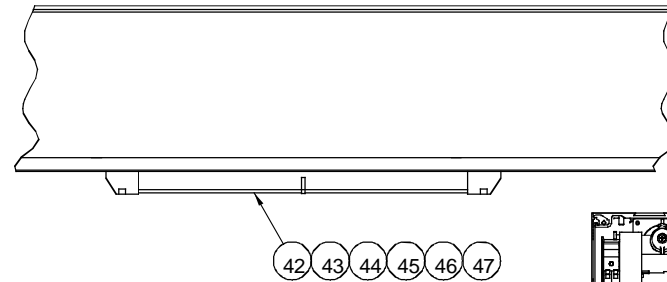
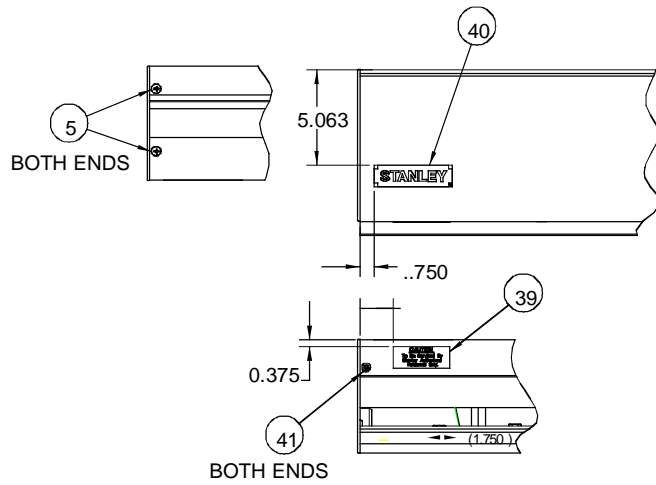
© 2004, THE STANLEY WORKS. ALL RIGHTS RESERVED.

Attachment 2
Cart Door Interior Header

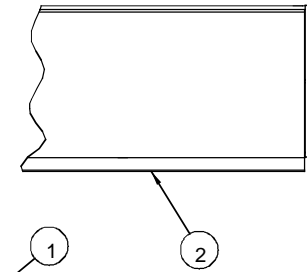
(Sheet 4 of 4)

Item	Part No.	Description	Item	Part No.	Description
57	413740	Decal- "Stanley" Logo	100	313742	Hardware Kit-Rotary Switch
58	110053	Sensor Assy-Stanguard	101	9.7E+08	Label Package-Decal
59	3.23E+08	Screw- T/B- PNH-Rec- #8 – 18 x 1/2	102	414104	Switch Assy-Rotary 2 Position
60	3.82E+-8	Washer- #8 Extl Tooth	103	413180	Receiver & Transmitter-Optex
61	711661	Bushing-Snap	104	200009	Foam Wrap 24" WD 2M Lin. Ft./Roll
62	712130	Screw, PHM-PH 8-18 x 1 1/4	110	PG01-170066	Schematic-Cart Door
63	712246	Cap Assy- End-Stanguard			

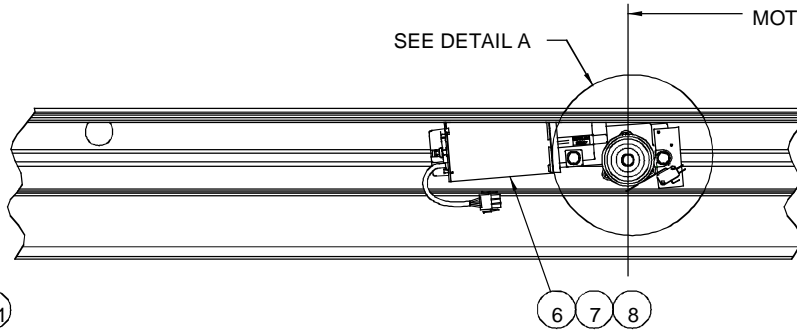
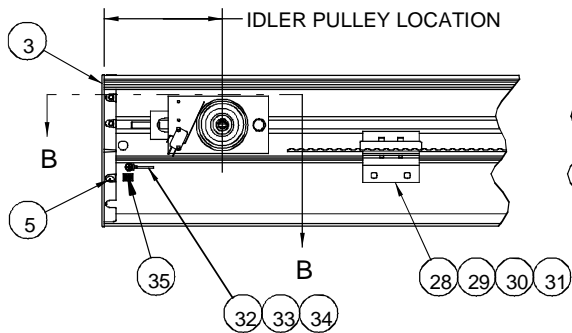
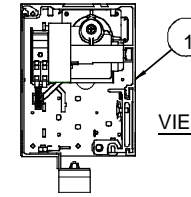
Attachment 3 Cart Door Exterior Header (Sheet 1 of 2)



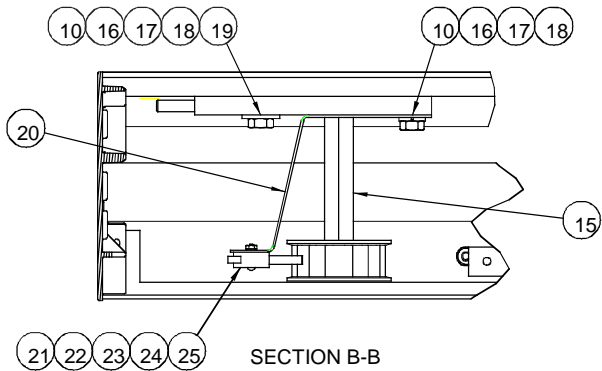
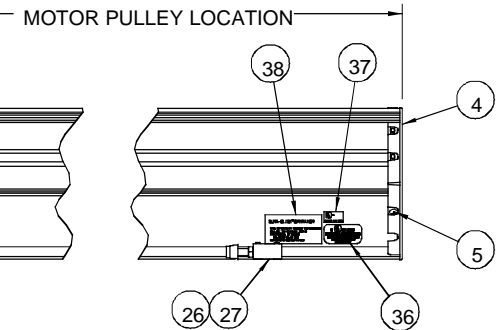
VIEW SHOWN WITH COVER AND STANGUARD SENSOR



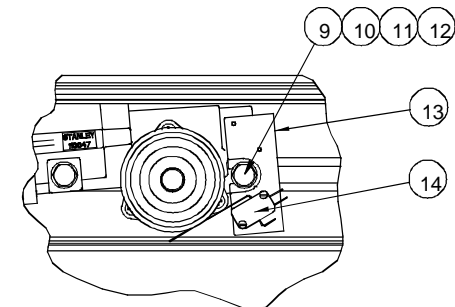
VIEW SHOWN WITHOUT ENDCAP



VIEW SHOWN WITHOUT COVER AND STANGUARD SENSOR



SECTION B-B



DETAIL A

CD002

Attachment 3
Cart Door Exterior Header

(Sheet 2 of 2)

Item	Part No.	Description	Item	Part No.	Description
1	157737	Header-Machining Exterior	29	411507	Clamp-Belt
2	170054	Assy.-Cover	30	413011-1C	Timing Belt-SS
3	516822-1	End Cap-Modified LH Clr.	31	3.53E+08	Screw, SHM-SK 10-24 x 7/8
	536822-1	End Cap-Modified LH Drk. Brz.	32	711527	Harness-Duraglide-Ground Wire
	5M6822-1	End Cap-Modified LH Mill	33	3.23E+08	Screw-T/B-PNH-REC-#8-18 x 1/2
4	516822-2	End Cap-Modified RH Clr.	34	3.82E+08	Washer – #8 Extl Tooth
	536822-2	End Cap-Modified RH Drk. Brz.	35	5.26E+08	Marker-Ground
	5M6822-2	End Cap-Modified RH Mill	36	713146	Label-UL/CUL
5	3.12E+08	Screw, FHM-PH ¼-20 x 5/8	37	712356	Label-UL-Header-Duraglide
6	110055	Motor and Gearbox Assy.	38	711632	Label-Control Box-Duraglide
7	411746	Cable Assy-Extension-Motor	39	712511	Label-Caution- “Auth Serv Only”
8	411747	Cable Assy-Encoder Extension	40	413740	Decal- “Stanley” Logo
9	3.17E+08	Screw, RHM-PH 4-40 x 1 1/4	41	3.12E+08	Screw, FHM-PH ¼-20 x 5/8
10	3.81E+08	Nut-Sq-3/8-16	42	110053	Sensor Assy- Stanguard
11	3.83E+08	Washer – 3/8-Intl Tooth	43	3.23E+08	Screw-T/B-PNH-REC- #8-18 x 1/2
12	3.51E+08	Screw, HHM- 3/8 – 16- 3 1/4	44	3.82E+08	Washer- #8 Extl Tooth
13	414068	Bracket-Switch	45	711661	Bushing-Snap
14	709183	Switch-Micro	46	712130	Screw, PHM-PH 8-18 x 1 1/4
15	515059	Idler Assy	47	712246	Cap Assy-End-Stanguard
16	3.51E+08	Screw, HHM- 3/8 – 16 x 1	100	313953	Hardware Kit-Cart Door
17	3.82E+08	Washer-Spring Lock - 3/8 - Medium	101	313945	Kit-SS Alarm Contact
18	3.51E+08	Screw, HHM- 3/8 – 16 x 1	102	313139	Hdwe Pkg-Dr Pos Sw Installed
19	711324	Bushing-Idler Adj	103	414071	Kit-Door Position Switch
20	515561	Bracket-Switch-Closed Pos. Sw.	104	9.7E+08	Label Package-Decal
21	412161	Cable Assy-Closed Position Sw	110	516669	Sensor, Microwave Motion
22	709183	Switch-Micro	110	713869	Sensor-Wizard
23	3.17E+08	Screw, RHM- PH 4-40 x 5/8	110	713950	Sensor-DH97
24	3.81E+08	Nut-Hex- #4-40	120	712982-4	Push Plate Blank 4.5 x 1.6 WIKK
25	3.83E+08	Washer – #4-Intl Tooth	120	712982-5	Push Plate Blank Champagne
26	711709	Bumper Stop Assy RH	130	709702	Cable 4-Conductor-22 AWG
27	3.15E+08	Screw-PNH-REC-1/4-20 x 3/4	140	200009	Foam Wrap 24” WD 2M Lin. Ft/Roll
28	411810	Bracket-Belt-Short	150	PG01-170066	Schematic-Cart Door

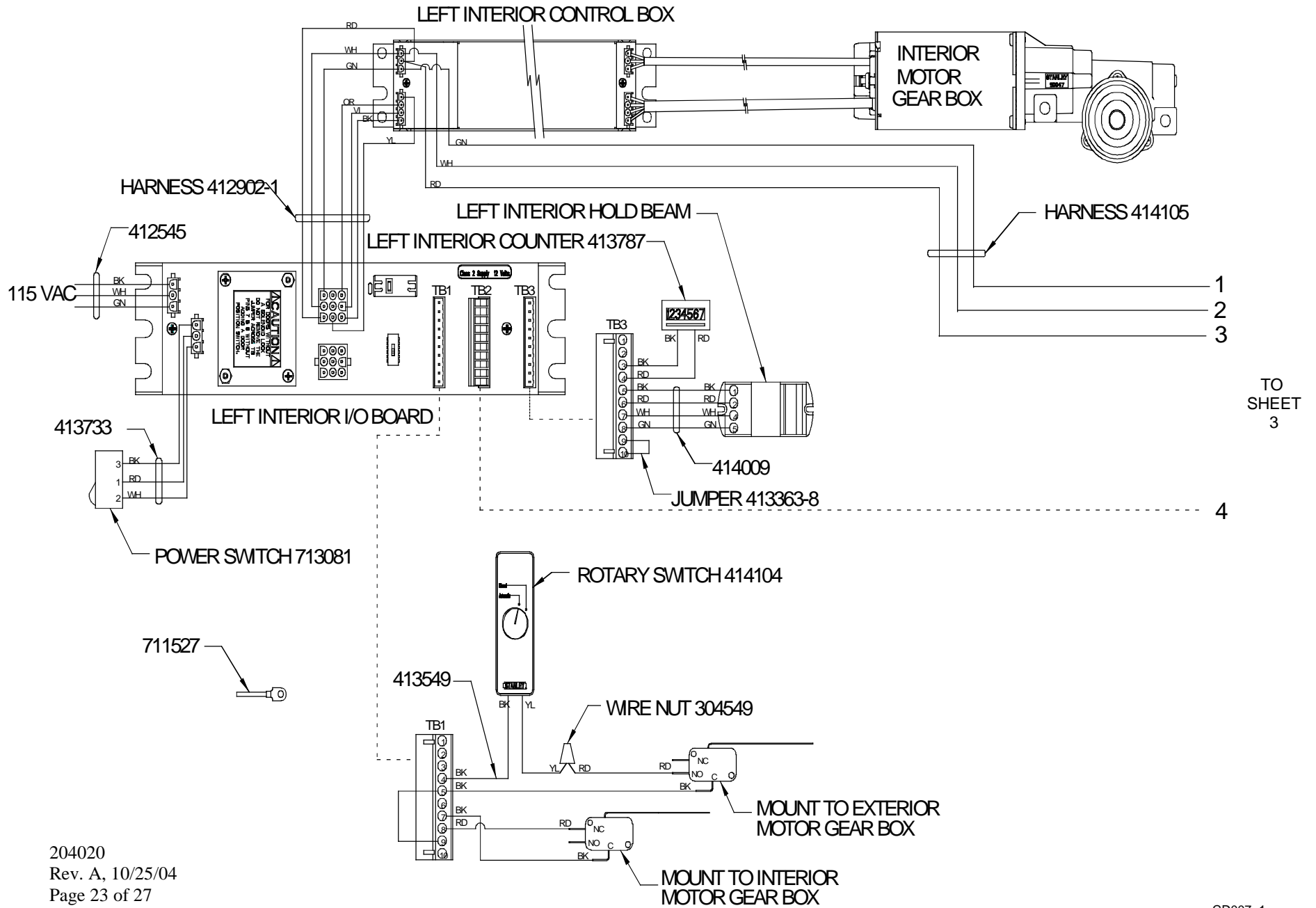
204020

Rev. A, 10/25/04

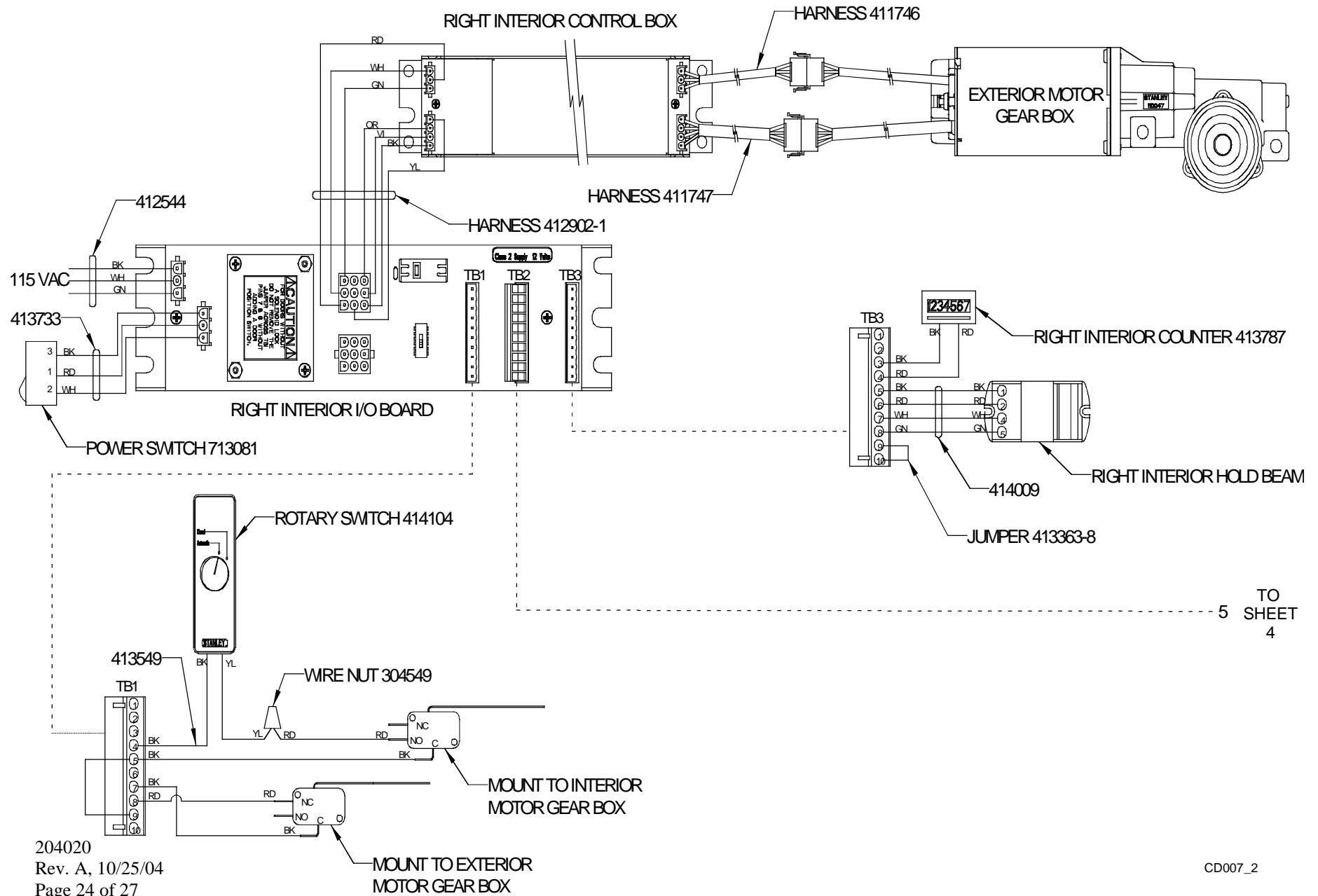
Page 22 of 27

© 2004, THE STANLEY WORKS. ALL RIGHTS RESERVED.

Attachment 4
System Wiring Diagram
 (Sheet 1 of 5)

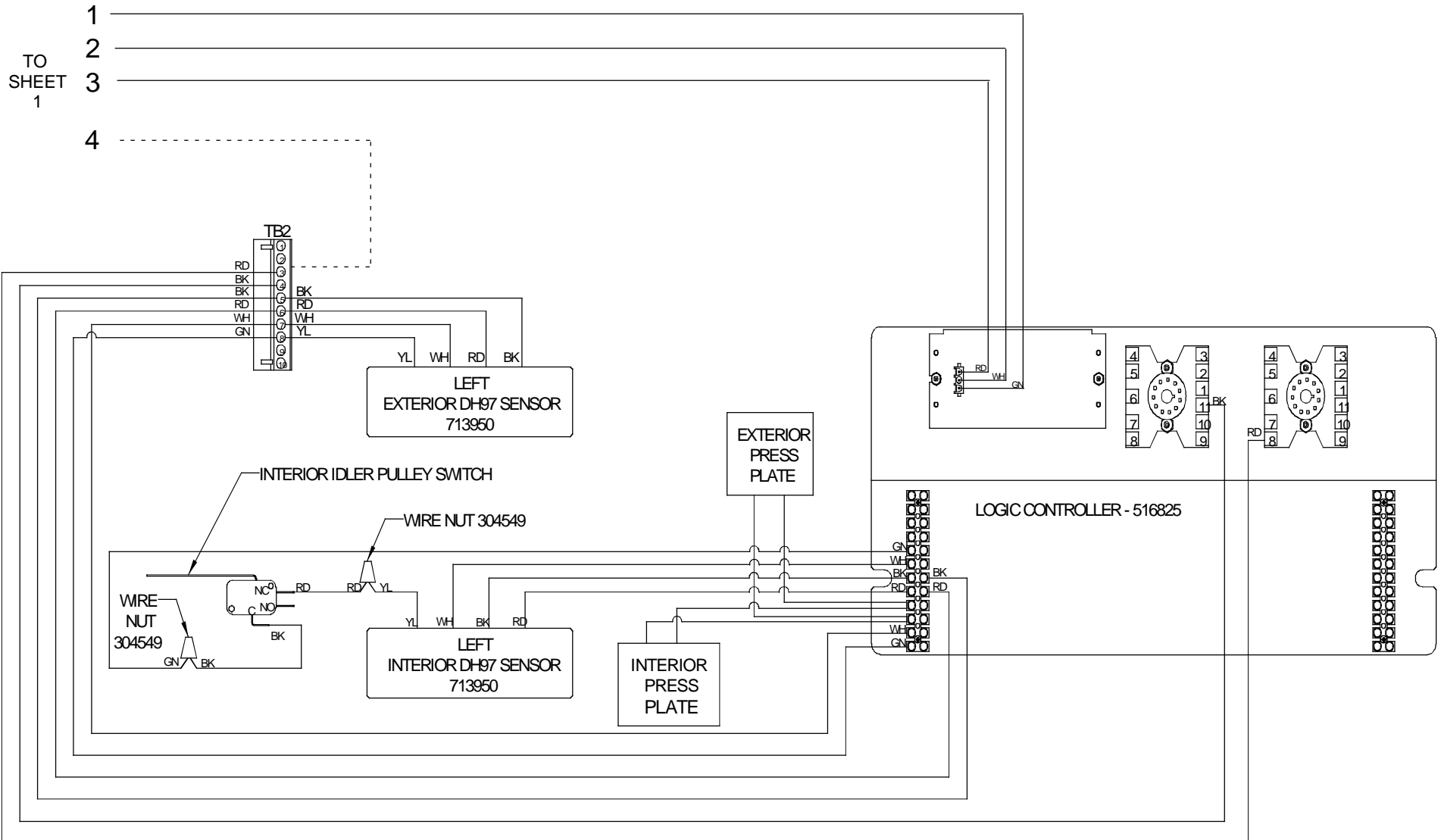


Attachment 4
System Wiring Diagram
 (Sheet 2 of 5)



TO
5 SHEET
4

Attachment 4 System Wiring Diagram (Sheet 3 of 5)



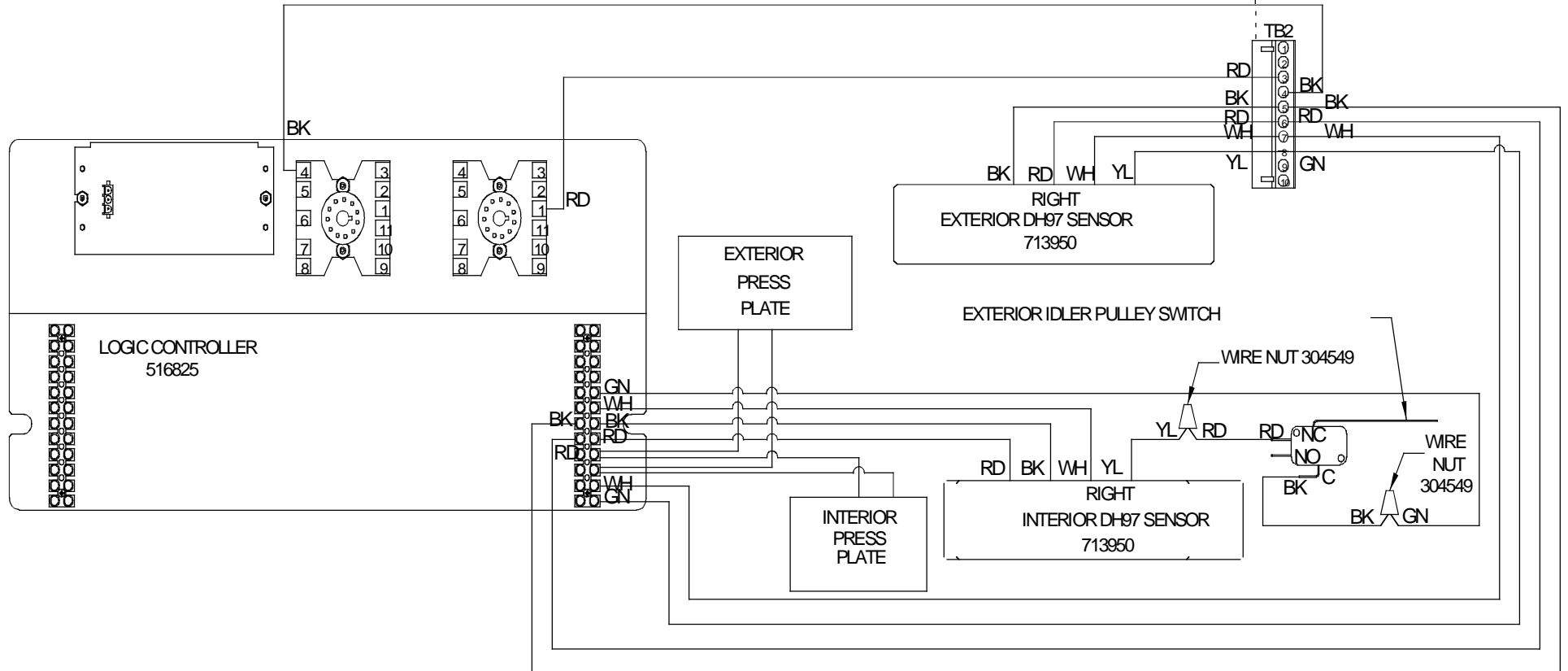
CD007_3

Attachment 4

System Wiring Diagram

(Sheet 4 of 5)

TO
SHEET 5
2

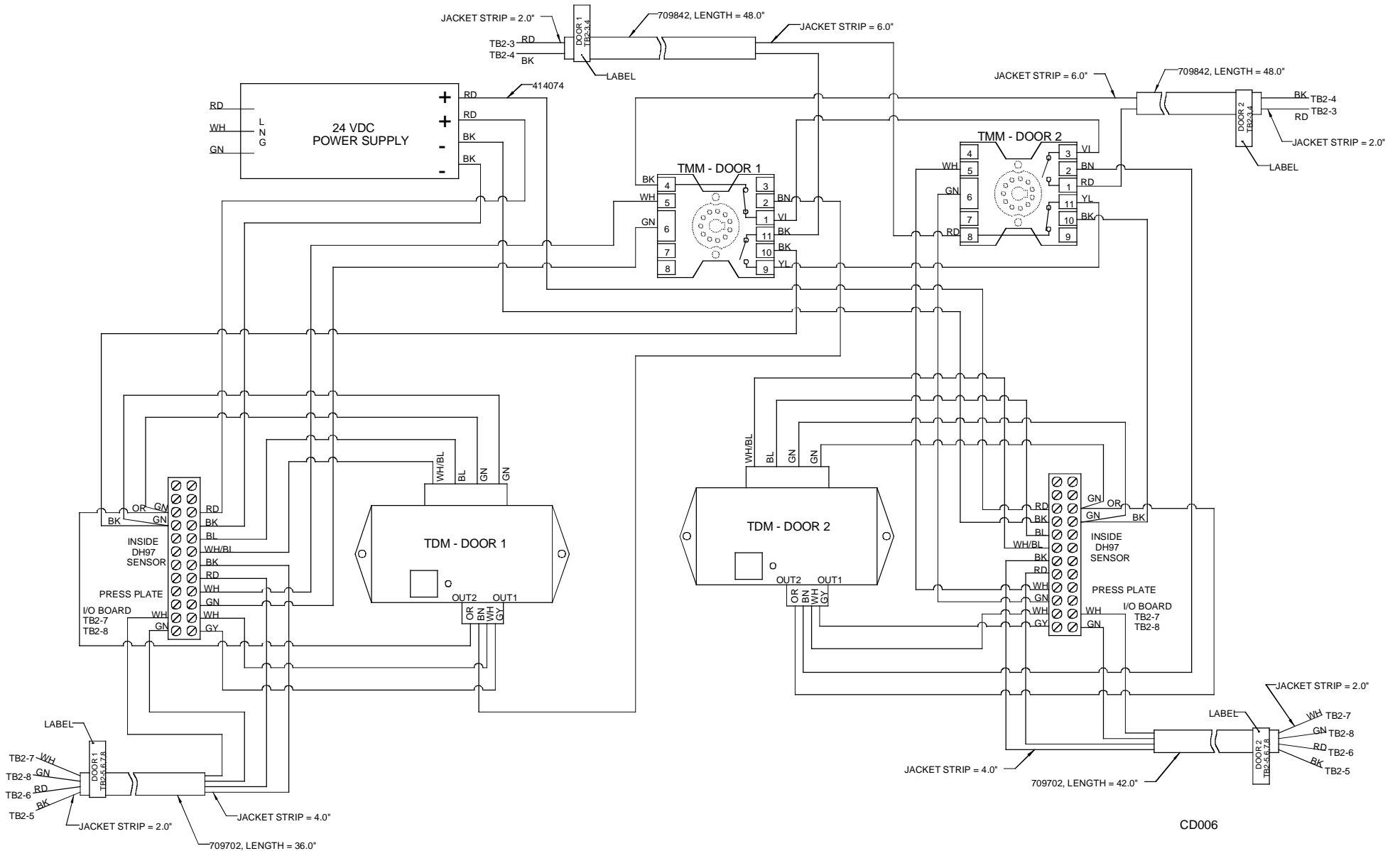


CD007_4

Attachment 4

System Wiring Diagram

(Sheet 5 of 5)



CD006

204020

Rev. A, 10/25/04

Page 27 of 27

© 2004, THE STANLEY WORKS. ALL RIGHTS RESERVED.